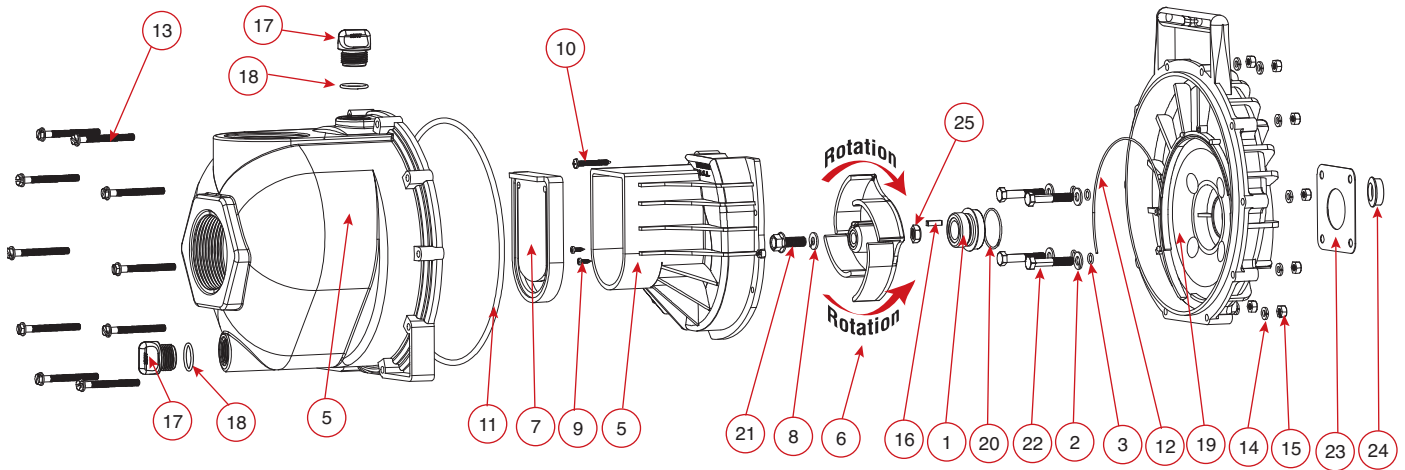


Order Repair Kits Online and Individual Parts by Phone.



3" POLY PUMP REPAIR PARTS

PUMPS

REPLACEMENT PARTS 3" POLY PUMPS			
ITEM	PART NO	DESCRIPTION	QTY
1	12713	Seal Assembly	1
1	12713V	FKM (viton type) Seal Assembly w/316 SS Cup & Spring	1
2	12901	SS Rear Bracket Washer	1
3	12717	O-Ring for Screw Head	4
3	12717V	FKM (viton type) O-Ring for Screw Head	2
4	13712	Body Assembly	1
5	13702	Poly Pump Volute	1
6	13771	4 Vane Impeller	1
7	12705	Poly Pump Check Valve	1
7	12705V	FKM (viton type) Pump Check Valve	1
8	12774VA	Impeller Bolt Gasket	1
9	12900	SS Upper Volute Screw	4
10	12725	SS Volute Screws	2
11	12719A	Body O-Ring	1
11	12719AV	FKM (viton type) Body O-Ring	8
12	12754	O-Ring Segment	1
12	12754V	FKM (viton type) O-Ring Segment	1
13	12720	SS Body Screws	10
14	V07018	SS Lock Washers	10
15	V07019	SS Body Nuts	10

REPLACEMENT PARTS 3" POLY PUMPS			
ITEM	PART NO	DESCRIPTION	QTY
16	12902A	Impeller Key	1
17	13777	Prime/Drain Plug	2
18	13778	Prime/Drain Plug O-Ring	2
18	13778V	FKM (viton type) Prime/Drain Plug O-Ring	2
19	12703A	Poly Pump Rear Bracket	1
20	12710	O-Ring for Seal Assembly	1
20	12710V	FKM (viton type) O-Ring for Seal Assembly	1
21	12765A	SS Impeller Bolt $\frac{5}{16}$ x 24 x 1.12 (300PH-6)	1
21	13765	SS Impeller Bolt $\frac{3}{8}$ x 24 x 1.75 (300P11PRO)	1
22	12715A	SS Bracket Screws	4
23	15751	Rear Bracket Shim	1
24	12716	Poly Pump Slinger	1
25	12775A	Impeller Hex Nut	1
N/S	12882A	Bearing Pedestal	1
N/S	12099	$\frac{7}{16}$ "-14 x 1.25" HHCS	1
N/S	13000	4 Vane Impeller Repair Kit (Items 1, 3, 6-8, 11, 12, 18, 20, 24 & 12099)	1
N/S	13000V	4 Vane Impeller FKM (viton type) Repair Kit (Items 1, 3, 6-8, 11, 12, 18, 20, 24 & 12099)	1
N/S	13999	Pump Seal/O-Ring Kit (Items 1, 3, 8, 11, 12, 18, 20, 24 & 12099)	1
N/S	13999V	FKM(viton type) Pump Seal/O-Ring Kit (Items 1, 3, 8, 11, 12, 18, 20, 24 & 12099)	1